

Supplier Scouting Opportunity Synopsis 2023-043

Item to be scouted: PVC Tube

Days: 30

Item description: It is an extruded PVC tube approximately 100cm long, made in both 40F and 36F in diameter. The tube has two interior lumens, with a hole pattern drilled into the distal end of the tubing in one of the lumens only. The tube also comes with a rounded tip that is used to cap the distal end of the tube. The tube is pad printed with measurement markings.

Technical Information

Supplier Information

Type of supplier being sought: Distributor

Reason for scouting submission: Market Research

Summary of technical specifications and performance requirements

Describe the manufacturing processes (elaborate to provide as much detail as possible): It is an extruded PVC tube approximately 100cm long, made in both 40F and 36F in diameter. The tube has two interior lumens, with a hole pattern drilled into the distal end of the tubing in one of the lumens only. The tube also comes with a rounded tip that is used to cap the distal end of the tube. The tube is pad printed with measurement markings.

Provide dimensions / size / tolerances / performance specifications for the item: The tube is approximately 100cm long, made in both 40F and 36F in diameter. Smooth finish and colorite 18064D, a clear, flexible, non-toxic vinyl compound

List required materials needed to make the product, including materials of product components: Colorite 18064D, a clear, flexible, non-toxic vinyl compound

Are there applicable certification requirements?: Needs to meet the requirements for ISO 13485

Are there applicable regulations?: No

Are there any other standards, requirements, etc.?: No

Business Information

Volume and pricing

Estimated potential business volume: Anticipated Volume: 5,000-10,000 units annually for the first year, with anticipated growth

Estimated target price / unit cost information (if unavailable explain): Unavailable - New Product Startup

Delivery requirements

When is it needed by?: 1 month

Describe packaging requirements: must be shipped straight, not curled up.

Where will this item be shipped?: Pittsburgh, Pennsylvania

Additional Information

Photos or diagrams of the item

Check if you uploaded file(s) to Box.com: Yes

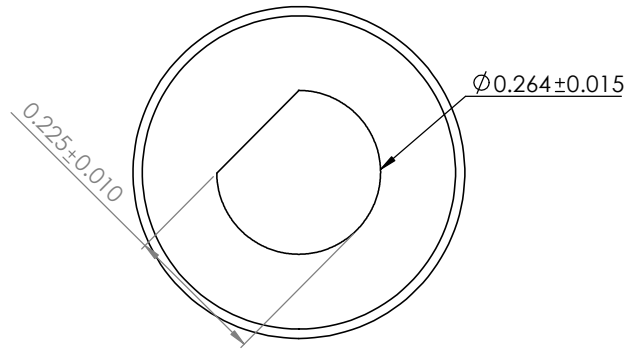
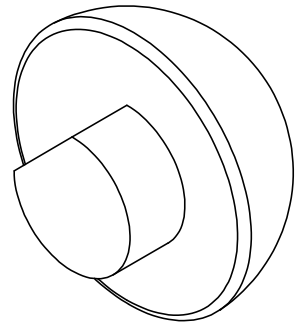
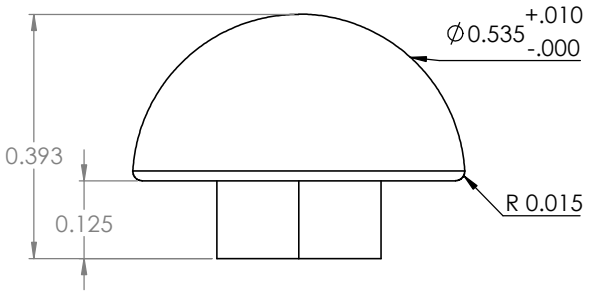
4

3

2

1

REVISIONS		
REV.	DESCRIPTION	DATE
1	RELEASED	2/16/23



NOTE:
1. MATERIAL IS PVC NATURAL, COLORITE 18064D

UNLESS OTHERWISE SPECIFIED	DO NOT SCALE DRAWING	
DIMENSIONS ARE IN INCHES	NAME	DATE
TOLERANCES:	DRAWN	JMC 2/16/23
FRACTIONAL: $\pm 1/8$	CHECKED	
ANGULAR: ± 0.5 (degree)	ENG APPR.	
TWO PLACE DECIMAL: $\pm .050$	MFG APPR.	
THREE PLACE DECIMAL: $\pm .010$	Q.A	
INTERPRET GEOMETRIC TOLERANCING PER:	COMMENTS	
MATERIAL		
FINISH		

PROPRIETARY AND CONFIDENTIAL
THE INFORMATION CONTAINED IN THIS DRAWING IS THE SOLE PROPERTY OF THE MANUFACTURER. ANY REPRODUCTION IN PART OR AS A WHOLE WITHOUT THE WRITTEN PERMISSION IS PROHIBITED.

TITLE:		
40 Fr Tip		
Size	DWG NO.	Rev
B	DWG-GCT-002-40	1
SCALE:	SHEET 1 OF 1	

4

3

2

1

B

B

A

A

4

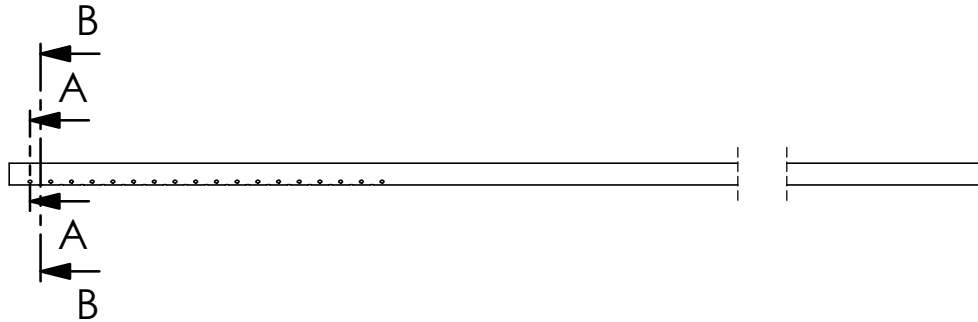
3

2

1

REVISIONS		
REV.	DESCRIPTION	DATE
1	Released	2/Dec/2021
2	Material was GLS TPE Shore 70A Added hole location tolerance Added clarification on number of holes	6/July/2022
3	Added OD to drawing	9/15/2022
4	Corrected tolerances to match manufacturing specifications. Added Inspection dimensions.	12/21/2022
5	Added note #6 to reference drawing GCT-001-01 for pad print specifications.	2/21/2023
6	Deleted note #3, and X,Y axis reference from note #4.	3/1/2023

$\phi .525 \pm .010$



8.50

17X 0.50
EQUALLY SPACED
(18 Holes)

$0.500 \pm .020$

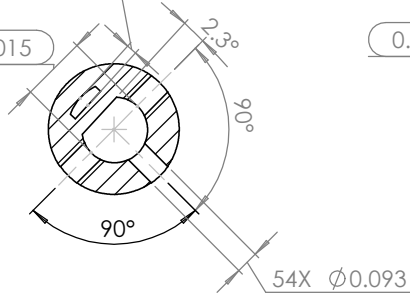
[19.177]
 $0.755 \pm .020$

16X 0.50
EQUALLY SPACED
(17 Holes)

36.000

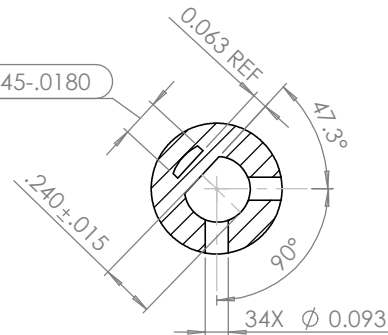
$0.040-0.080$

0.264 ± 0.015



SECTION A-A
SCALE 2 : 1

$0.145-0.180$



SECTION B-B
SCALE 2 : 1

Notes:

1. Catheter Material: Colorite 18064D
2. Dimensions: Inches
3. All Materials and Processes Must Be Approved by Endolumik Prior to Manufacture
4. Measure OD in 2 places, 90 degrees apart. Average must be within specification
5. See drawing GCT-001-01 for pad print marking specifications

UNLESS OTHERWISE SPECIFIED	DO NOT SCALE DRAWING	
	NAME	DATE
DIMENSIONS ARE IN INCHES	DRAWN	JMC 3/1/2023
TOLERANCES:	CHECKED	
FRACTIONAL: $\pm 1/8$	ENG APPR.	
ANGULAR: ± 10 (degree)	MFG APPR.	
TWO PLACE DECIMAL: $\pm .050$	Q.A	
THREE PLACE DECIMAL: $\pm .010$	COMMENTS	
INTERPRET GEOMETRIC TOLERANCING PER:		
MATERIAL		
FINISH		

PROPRIETARY AND CONFIDENTIAL
THE INFORMATION CONTAINED IN THIS
DRAWING IS THE SOLE PROPERTY OF THE
MANUFACTURER. ANY REPRODUCTION IN
PART OR AS A WHOLE WITHOUT THE
WRITTEN PERMISSION IS PROHIBITED.

TITLE:		
40F Gastric Calibration Tube with Hole Pattern		
Size B	DWG NO. DWG-GCT-001-40	Rev 6
SCALE: 1:3		SHEET 1 OF 1

4

3

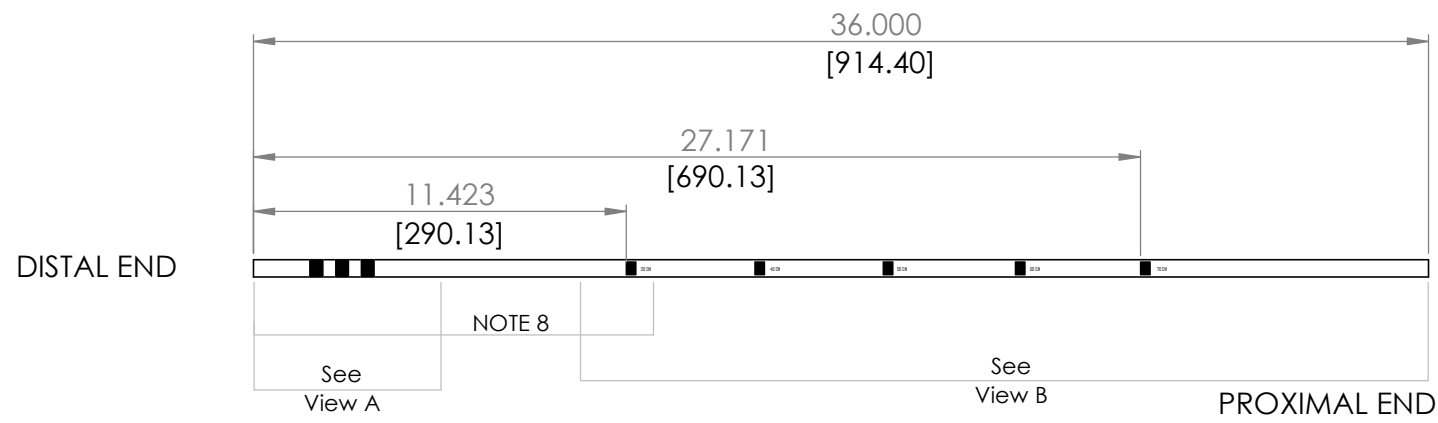
2

1

4 3 2 1

REVISIONS		
REV	DESCRIPTION	DATE
1	New	02/Dec/2021
2	Fixed Orientation of Centimeter Marks	08/Dec/2021
3	Fixed Markings on Distal End	24/June/2022
4	Fixed Markings on Distal End, Added Tolerances	28/June/2022

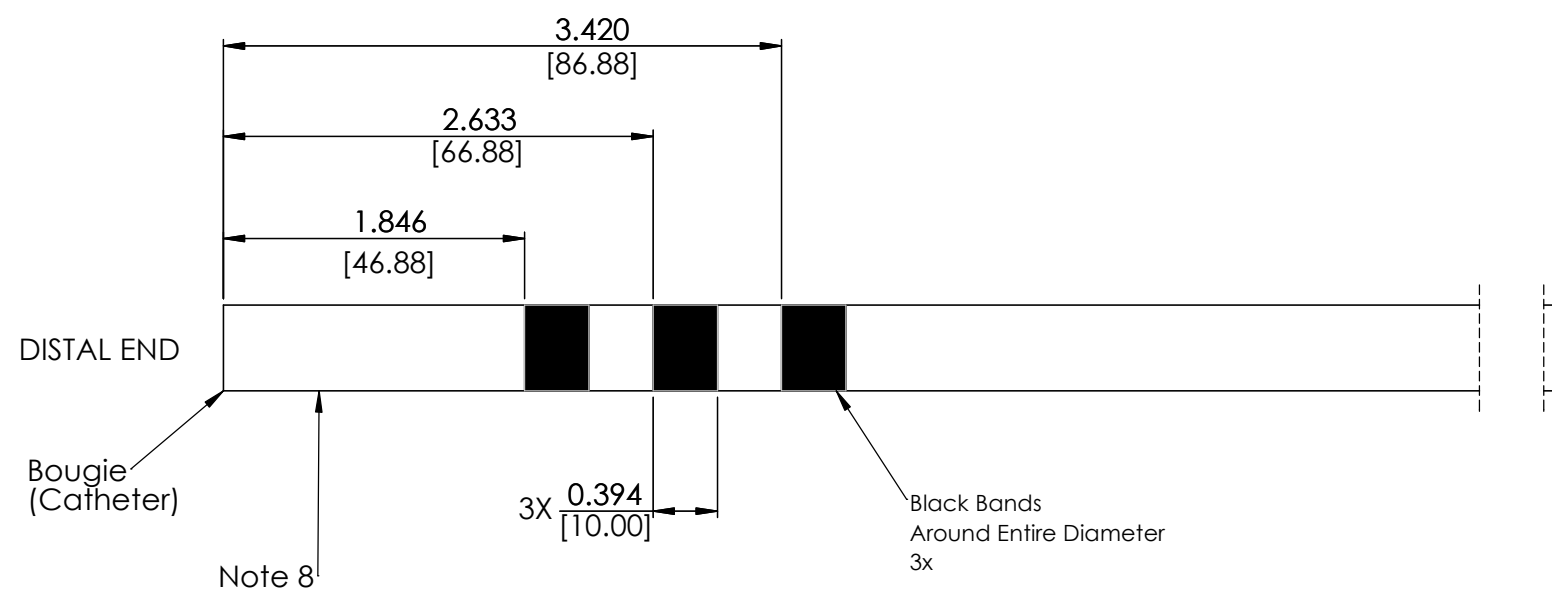
B



Notes:

1. Pad Print Indicated Markings on Tubing
2. Ink: Tampa Star TPR
3. Process: Pad Print
4. Dimensions: Inches / [Millimeters]
5. Tolerance on Location of Markings: $\pm .020$ in [± 0.5 mm]
6. Catheter Material: Colorite 18064D
7. All Materials and Processes Must Be Approved Prior to Manufacture
8. Catheter Has 118 Holes, $.093 \pm 0.010$ " Dia, Throughout First 12 Inches of Distal End. See View C and Catheter Drawing.

A



B

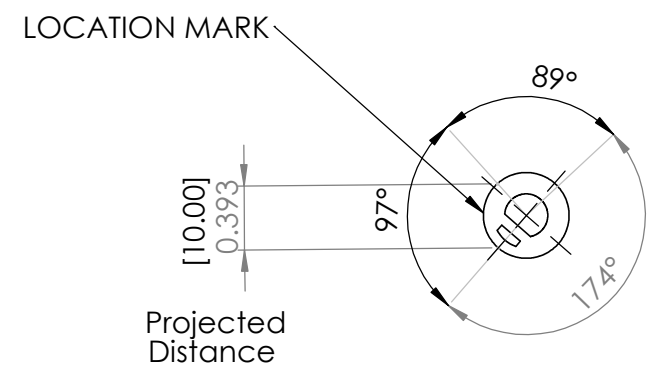
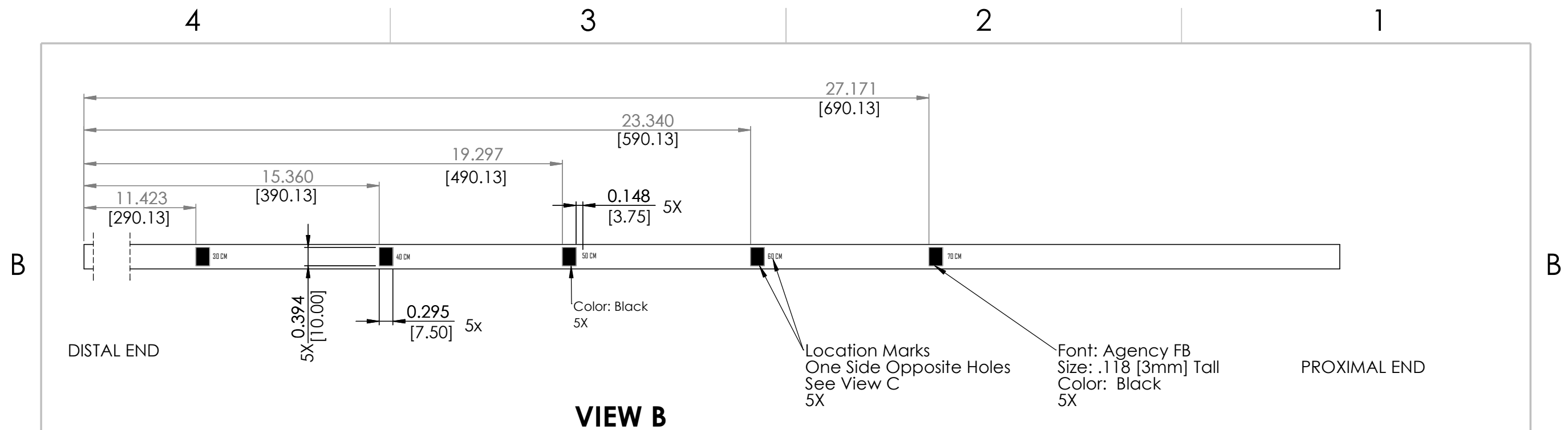
A

PROPRIETARY AND CONFIDENTIAL
THE INFORMATION CONTAINED IN THIS DRAWING IS THE SOLE PROPERTY OF THE MANUFACTURER. ANY REPRODUCTION IN PART OR AS A WHOLE WITHOUT THE WRITTEN PERMISSION IS PROHIBITED.

UNLESS OTHERWISE SPECIFIED	DO NOT SCALE DRAWING	
DIMENSIONS ARE IN INCHES	NAME	DATE
TOLERANCES:	DRAWN	MKC 28/June/2022
FRACTIONAL: $\pm 1/8$	CHECKED	
ANGULAR: ± 0.5 (degree)	ENG APPR.	
TWO PLACE DECIMAL: $\pm .050$	MFG APPR.	
THREE PLACE DECIMAL: $\pm .010$	Q.A	
INTERPRET GEOMETRIC TOLERANCING PER:	COMMENTS	
MATERIAL		
FINISH		

TITLE: Pad Print Markings Gen 2 40Fr Bougie		
Size B	DWG NO. DWG-GCT-001-1	Rev 4
SCALE:	SHEET 1 OF 2	

4 3 2 1



SEE NOTES SHEET 1

PROPRIETARY AND CONFIDENTIAL
 THE INFORMATION CONTAINED IN THIS
 DRAWING IS THE SOLE PROPERTY OF THE
 MANUFACTURER. ANY REPRODUCTION IN
 PART OR AS A WHOLE WITHOUT THE
 WRITTEN PERMISSION IS PROHIBITED.

UNLESS OTHERWISE SPECIFIED	DO NOT SCALE DRAWING	
	NAME	DATE
DIMENSIONS ARE IN INCHES	DRAWN	MKC 29/June/2022
TOLERANCES:	CHECKED	
FRACTIONAL: ± 1/8	ENG APPR.	
ANGULAR: ± 0.5 (degree)	MFG APPR.	
TWO PLACE DECIMAL: ± .050	Q.A	
THREE PLACE DECIMAL: ± .010	COMMENTS	
INTERPRET GEOMETRIC TOLERANCING PER:		
MATERIAL		
FINISH		

TITLE: Pad Print Markings Gen 2 40Fr Bougie		
Size B	DWG NO. DWG-GCT-001-1	Rev 4
SCALE:	SHEET 2 OF 2	

4 3 2 1

4 3 2 1